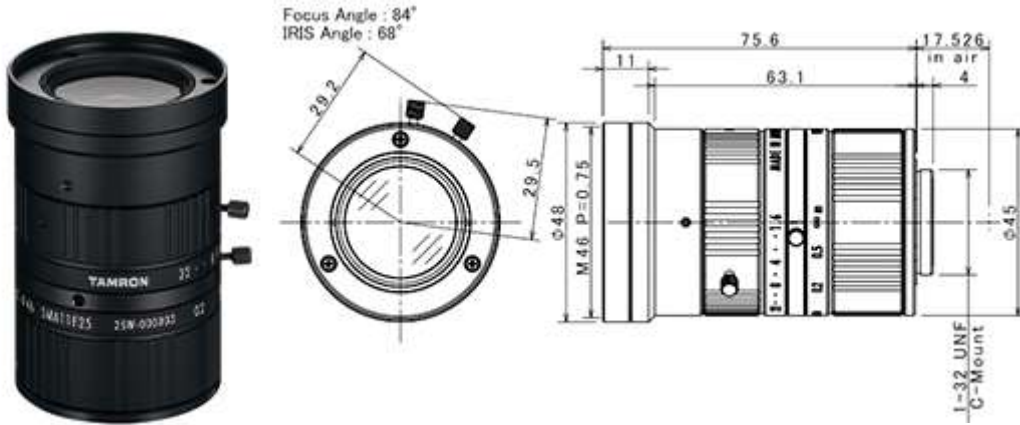




SMA11F25



SPECIFICATIONS

		SMA11F25
Imager Size		1"
Mount Type		C
Focal Length		25mm
Aperture Range		F/1.6 - F/22 T/1.8 - T/24.7
Field of View Angle (Horizontal x Vertical)	1"	29.1° x 21.9°
	2/3"	20.1° x 15.1°
	1/2"	14.7° x 11.7°
Focusing Range		0.2m - ∞
Operation	Focus	Manual with Lock
	Iris	Manual with Lock
Filter Size		M46 P=0.75mm
Wave Length		400 - 1700nm WBC-V-SWIR (Wide Band Coating-Visible-Short Wave Infrared)
TV Distortion		-1% (Design Value)
Weight		260g
Operating Temperature		-20°C - +60°C