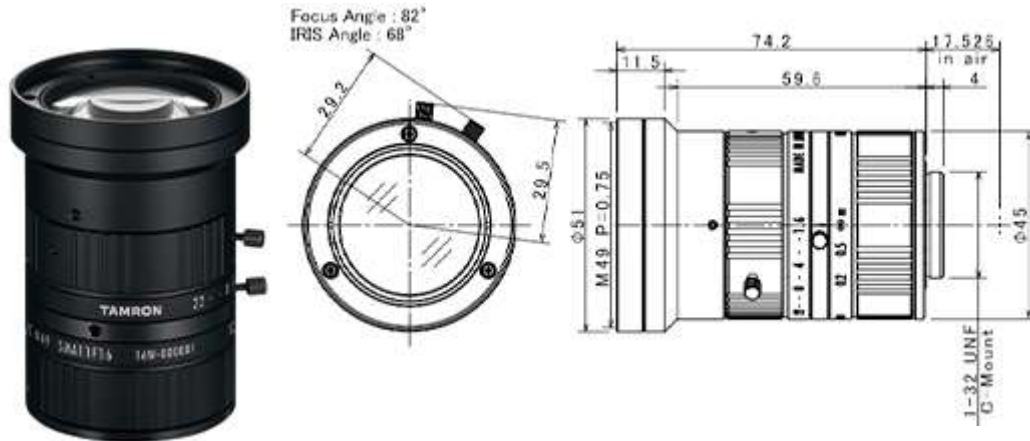




## SMA11F16



### SPECIFICATIONS

		SMA11F16
Imager Size		1"
Mount Type		C
Focal Length		16mm
Aperture Range		F/1.6 - F/22 T/1.8 - T/24.7
Field of View Angle (Horizontal x Vertical)	1"	44.1° x 33.7°
	2/3"	31.0° x 23.4°
	1/2"	22.7° x 18.1°
Focusing Range		0.2m - ∞
Operation	Focus	Manual with Lock
	Iris	Manual with Lock
Filter Size		M49 P=0.75mm
Wave Length		400 - 1700nm WBC-V-SWIR (Wide Band Coating-Visible-Short Wave Infrared)
TV Distortion		-1% (Design Value)
Weight		260g
Operating Temperature		-20°C - +60°C