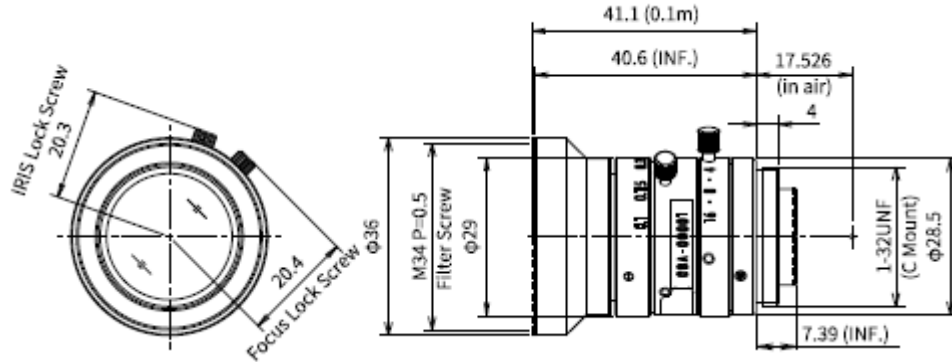




MA23F08V



SPECIFICATIONS

		MA23F08V
Imager Size		2/3"
Mount Type		C
Focal Length		8mm
Aperture Range		2.4 - 16
Field of View Angle (Horizontal x Vertical)	2/3" [1:1]	53.1° x 53.1°
	2/3" [4:3]	58.9° x 45.5°
	2/3" [16:9]	63.2° x 37.7°
	1/1.8" [4:3]	47.4° x 36.4°
	1/2" [4:3]	44.3° x 33.7°
	1/3" [16:9]	33.7° x 25.5°
Focusing Range		0.1m - ∞
Operation	Focus	Manual with Lock
	Iris	Manual with Lock
Filter Size		M34 P=0.5mm
Wave Length		Visible Light - Near Infrared
TV Distortion		-0.6% (Design Value)
Weight		84g
Operating Temperature		-20°C - +60°C