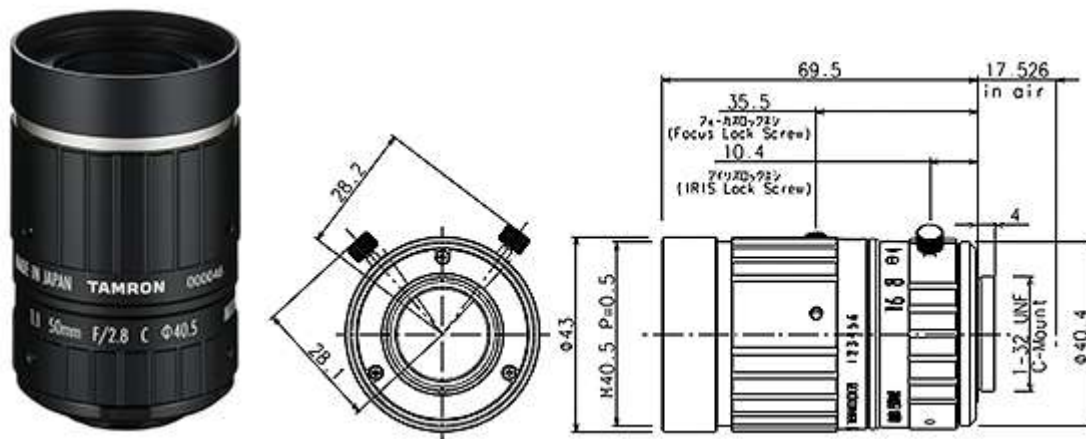


CCTV Lenses/Model : MA111F50VIR



MA111F50VIR



SPECIFICATIONS

		MA111F50VIR
Imager Size		1.1
Mount Type		C
Focal Length		50mm
Aperture Range		2.8 - 16
Field of View Angle (Horizontal x Vertical)	1.1"	16.0° x 12.0°
	2/3"	10.1° x 7.5°
	1/2"	7.3° x 5.5°
Focusing Range		0.2m - ∞
Operation	Focus	Manual with Lock
	Iris	Manual with Lock
Filter Size		M40.5 P=0.5mm
Wave Length		Visible Light - Near Infrared
TV Distortion		0.1% (Design Value)
Weight		181g
Operating Temperature		-20°C - +60°C