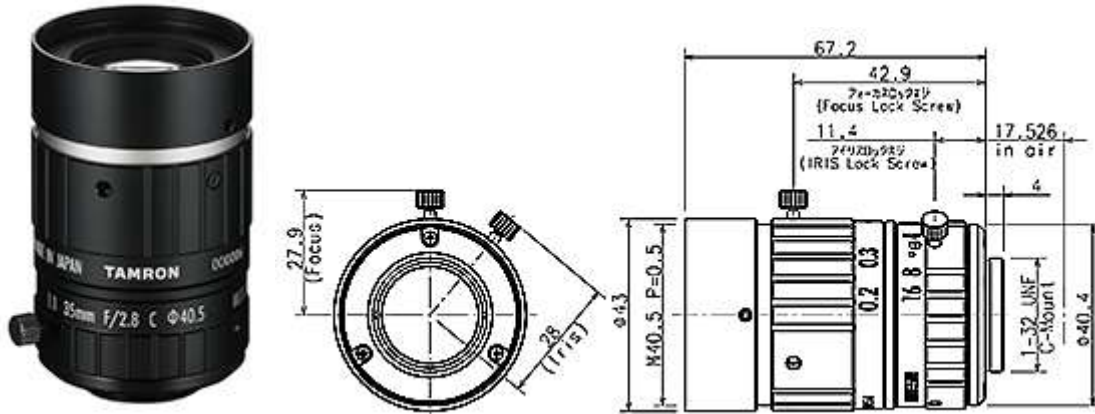




## MA111F35VIR



MA111F35VIR		
Imager Size		1.1
Mount Type		C
Focal Length		35mm
Aperture Range		2.8 - 16
Field of View Angle (Horizontal x Vertical)	1.1"	22.8° x 17.2°
	2/3"	14.4° x 10.8°
	1/2"	10.5° x 7.9°
Focusing Range		0.2m - ∞
Operation	Focus	Manual with Lock
	Iris	Manual with Lock
Filter Size		M40.5 P=0.5mm
Wave Length		Visible Light - Near Infrared
TV Distortion		-0.3% (Design Value)
Weight		179g
Operating Temperature		-20°C - +60°C