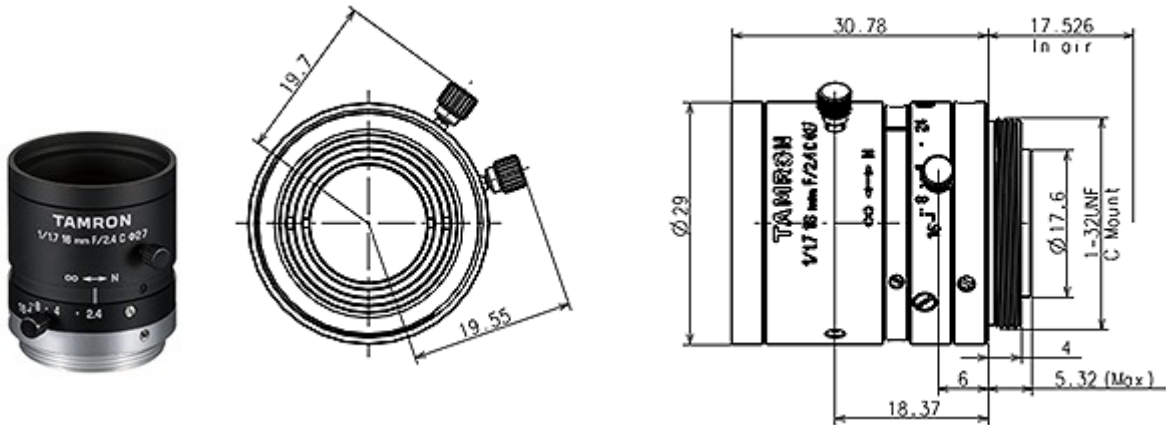




M117FM16



SPECIFICATIONS

		M117FM16
Imager Size		1/1.7
Mount Type		C
Focal Length		16mm
Aperture Range		2.4 - 16
Angle of View (Horizontal x Vertical)	1/1.7	26.1° x 19.7°
	1/1.8	25.7° x 17.4°
	1/2	22.3° x 16.8°
	1/3	16.8° x 12.6°
TV Distortion		-0.1% (Design Value)
Focusing Range		0.1m - ∞
Operation	Focus	Manual with Lock
	Iris	Manual with Lock
Filter Size		M27 P=0.5mm
Wave Length		Visible Light
Weight		40g
Operating Temperature		-20°C - +60°C