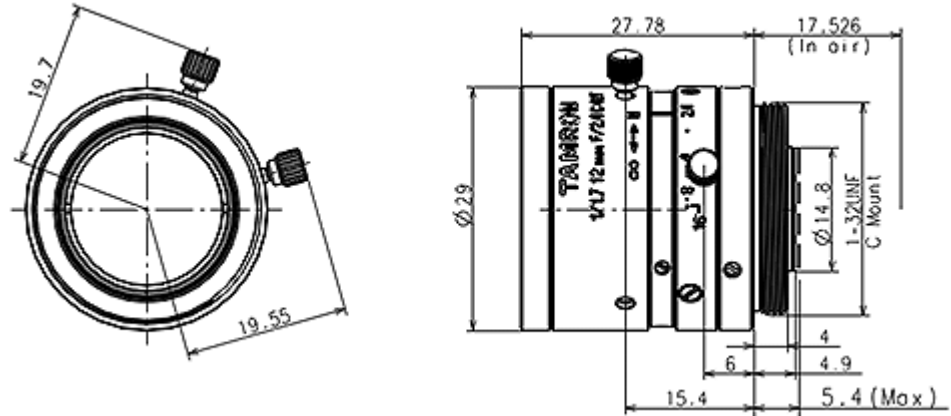




## M117FM12



### SPECIFICATIONS

		M117FM12
Imager Size		1/1.7
Mount Type		C
Focal Length		12mm
Aperture Range		2.4 - 16
Angle of View (Horizontal x Vertical)	1/1.7	34.3° x 25.9°
	1/1.8	33.7° x 22.9°
	1/2	29.3° x 22.1°
	1/3	22.1° x 16.6°
TV Distortion		-0.42% (Design Value)
Focusing Range		0.1m - ∞
Operation	Focus	Manual with Lock
	Iris	Manual with Lock
Filter Size		M27 P=0.5mm
Wave Length		Visible Light
Weight		40g
Operating Temperature		-20°C - +60°C