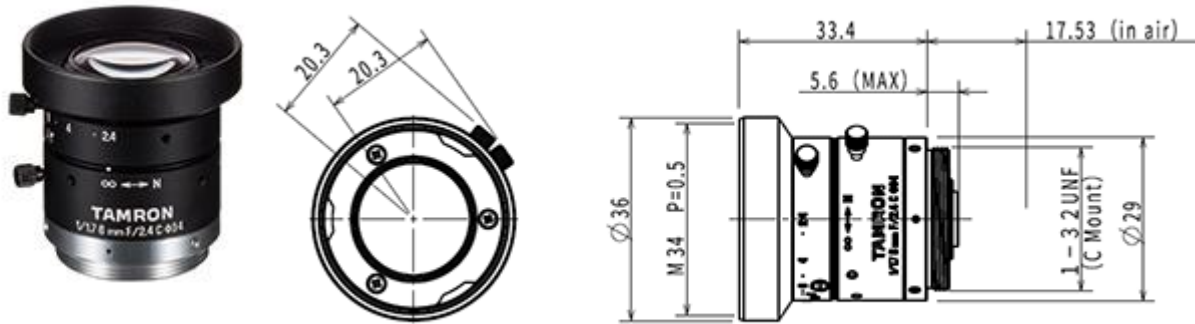




M117FM06



SPECIFICATIONS

		M117FM06
Imager Size		1/1.7
Mount Type		C
Focal Length		6mm
Aperture Range		2.4 - 16
Field of View Angle (Horizontal x Vertical)	1/1.7	65.0° x 50.5°
	1/1.8	64.2° x 44.9°
	1/2	56.5° x 43.4°
	1/3	43.4° x 32.9°
Focusing Range		0.1m - ∞
Operation	Focus	Manual with Lock
	Iris	Manual with Lock
Filter Size		M34 P=0.5mm
Wave Length		Visible Light
TV Distortion		-1.5%
Weight		50g
Operating Temperature		-20°C - +60°C