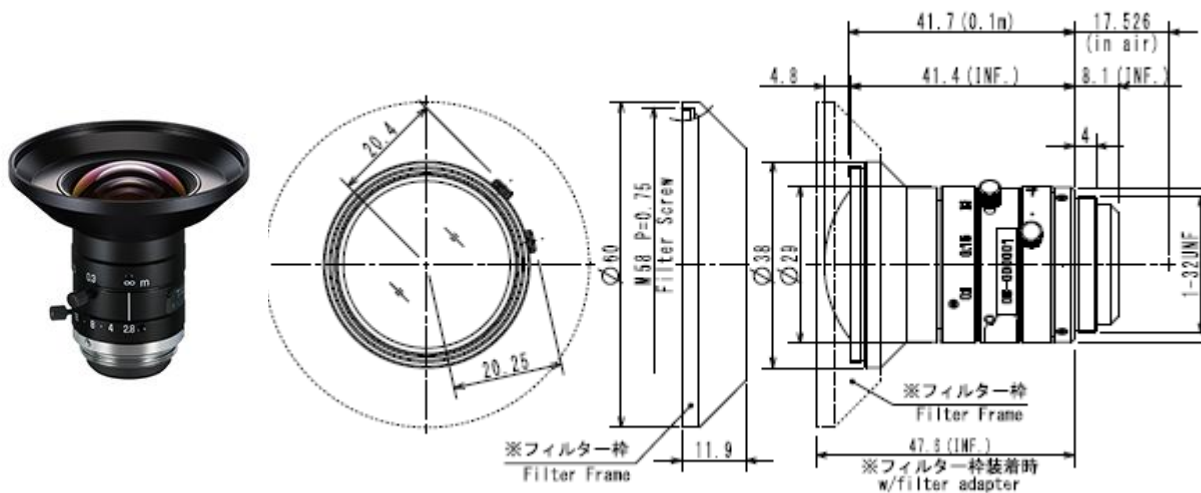




M112FM06



SPECIFICATIONS

		M112FM06
Imager Size		1/1.2
Mount Type		C
Focal Length		6mm
Aperture Range		2.8 - 16
Angle of View (Horizontal x Vertical)	1/1.2 [4:3]	87.7° x 70.1°
	[16:9]	93.1° x 59.0°
	2/3 [4:3]	75.5° x 59.2°
	[16:9]	80.8° x 49.3°
Focusing Range		0.1m - ∞
Operation	Focus	Manual with Lock
	Iris	Manual with Lock
Filter Size		M58 P=0.75mm
Wave Size		Visible Light
TV Distortion		-1.99%
Weight		115g
Operating Temperature		-20°C - +60°C
