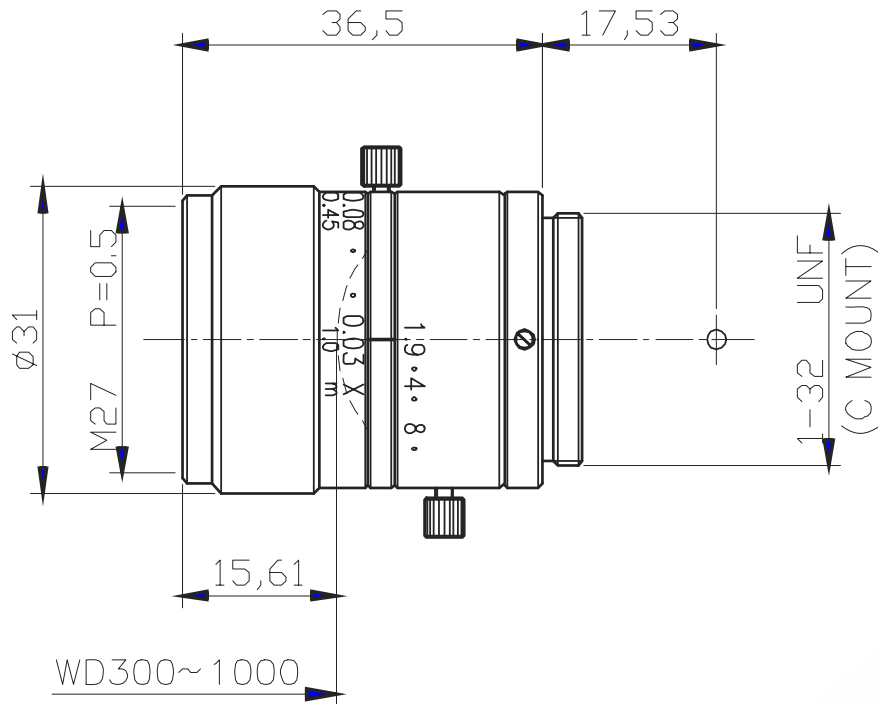


CMFA3519ND



The C-Mount lens Lensagon CMFA3519ND is suitable for common sensors up to 1 megapixel with an image format of 2/3 inch. It is characterized by a particularly high light intensity.

Technical Data

Mount	C-Mount
Sensor	2/3 inch
Focal Length	35 mm
Aperture	1.9
MOD	0.3 m
max. WD	1 m
Angle of View	D:17.86° H:14.32° V:10.77°
Megapixel	1-2 MP
IR Correction	No
IR Cut Filter	No
TV Distortion	-0.03 %
Image Circle	11 mm
Weight	55 g
Iris	manual-lock
Focus	manual-lock
Filter	M27 P=0.5
Typ	Standard



Light Sensitive

1

Megapixel

