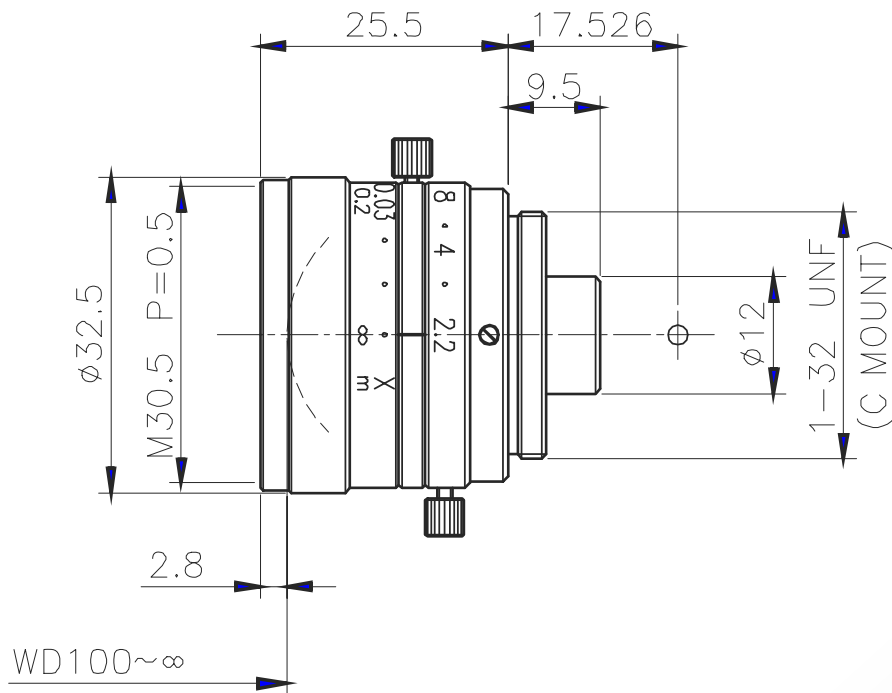


CMFA0622ND



The C-Mount lens Lensagon CMFA0622ND is suitable for common sensors up to 1 megapixel with an image format of 1/2 inch.

Technical Data

Mount	C-Mount
Sensor	1/2 inch
Focal Length	6 mm
Aperture	2.2
MOD	0.1 m
Angle of View	D:67.38° H:52.35° V:40.47°
Megapixel	1-2 MP
IR Correction	No
IR Cut Filter	No
TV Distortion	-0.1 %
Image Circle	8 mm
Weight	54 g
Iris	manual-lock
Focus	manual-lock
Filter	M30.5 P=0.5
Typ	Standard



1 Megapixel