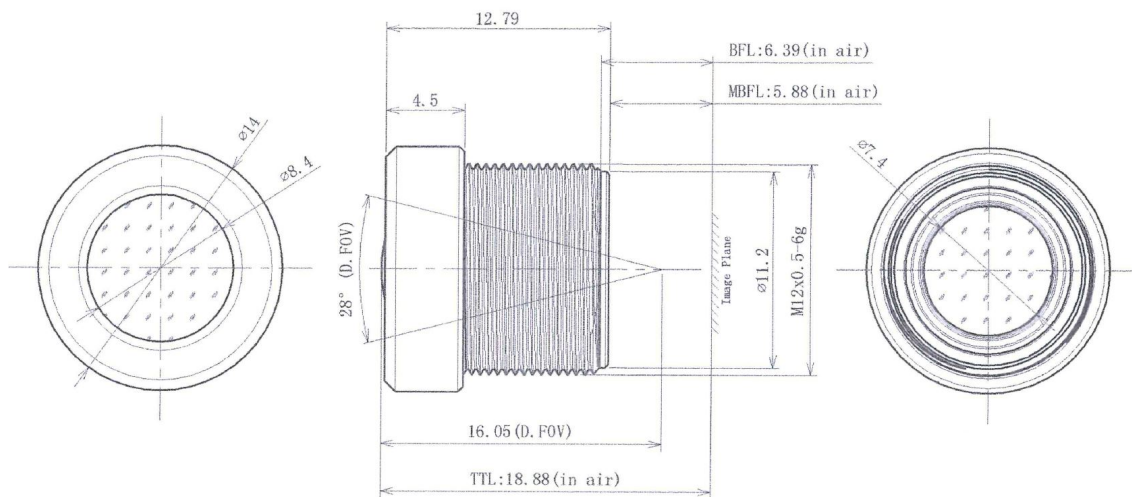


Lensagon BM12018V2



The S-Mount lens Lensagon BM12018V2 is suitable for sensors below 1 megapixel with an image format of 1/3 inch. It is characterized by a particularly high light intensity.

Technical Data

Mount	S-Mount
Sensor	1/3 inch
Focal Length	12 mm
Aperture	1.8
MOD	0.5 m
Back Focal	6.39 mm
Angle of View	D:28° H:22.5° V:16.9°
IR Correction	Yes
IR Cut Filter	No
Optical Distortion	-1 %
Image Circle	6.2 mm
Iris	fixed
Focus	fixed
Chief ray angle	7 °



Light Sensitive