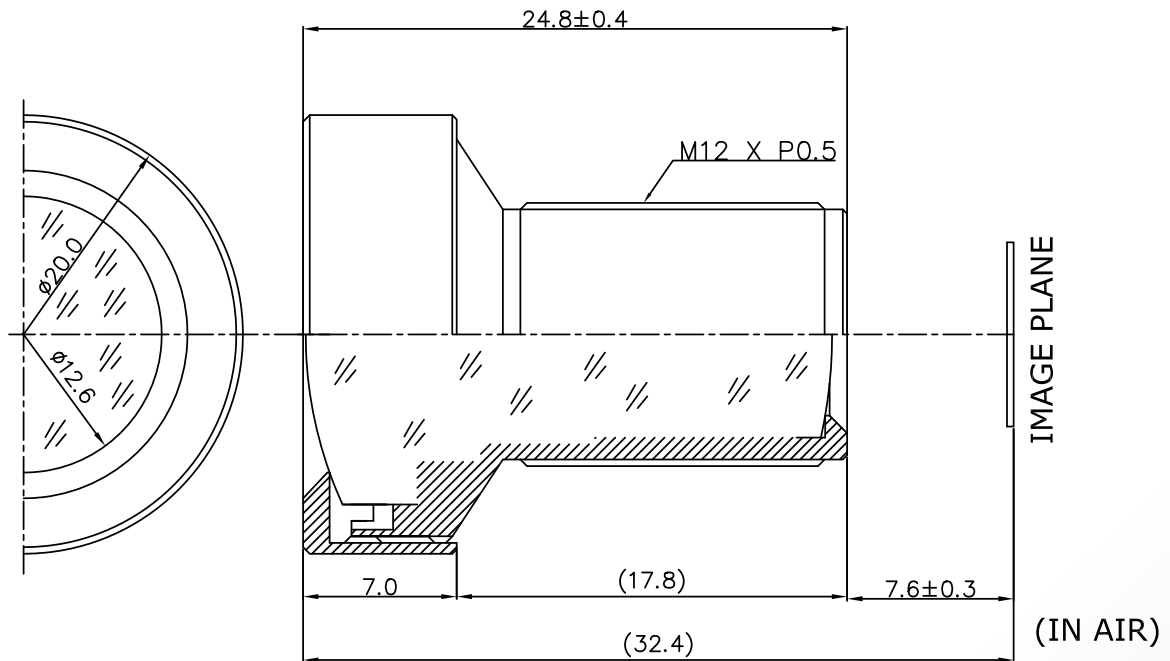


# B3M6020S12



The S-Mount lens Lensagon B3M6020S12 is suitable for common sensors up to 3 megapixel with an image format of 1/2 inch. It is characterized by a particularly high light intensity.

## Technical Data

Mount	S-Mount
Sensor	1/2 inch
Focal Length	6 mm
Aperture	2
MOD	0.5 m
Back Focal	8.3 mm
Angle of View	D:81° H:64° V:48°
Megapixel	3 MP
IR Cut Filter	No
Weight	11 g
Iris	fixed
Focus	fixed
Typ	Standard



Light Sensitive



Megapixel

