

NOTES:

1. EACH ITEM MAY BE SEPARATELY PURCHASED.

SPECIFICATIONS SUBJECT TO CHANGE WITHOUT NOTICE
DIMENSIONS ARE FOR REFERENCE ONLY

ITEM	QTY.	PART NUMBER	Description
3	1	34282	ARCTIC A25HO LIQUID LENS IN CAN
2	1	33675	LIQUID LENS HOLDER FOR 35mm Cx LENS
1	1	33565	35mm Cx LENS

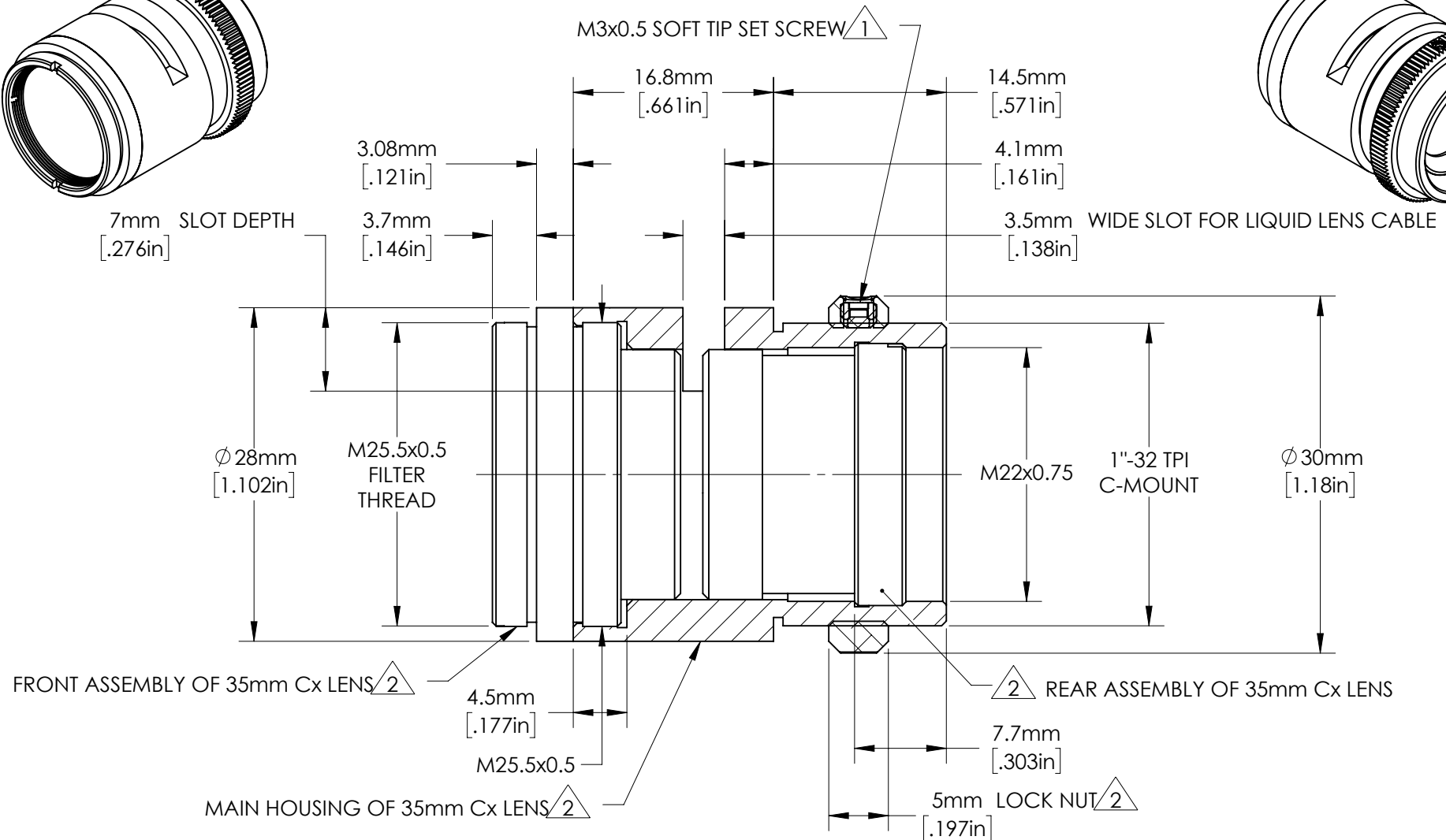
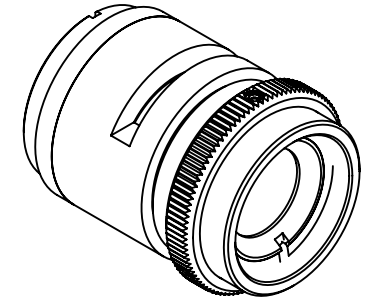
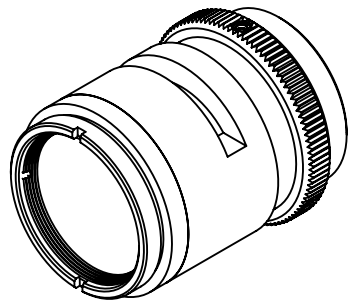
FOR INFORMATION ONLY:
DO NOT MANUFACTURE
PARTS TO THIS DRAWING

EO® **Edmund Optics®**

TITLE 35mm Cx with A25H0 LIQUID LENS

DWG NO 33677

SHEET
1 OF 5



NOTES:

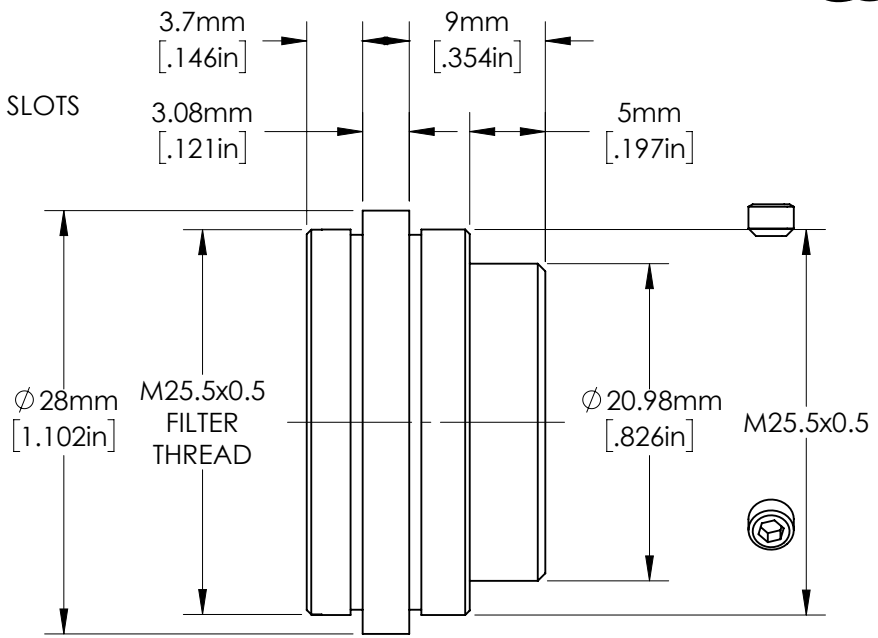
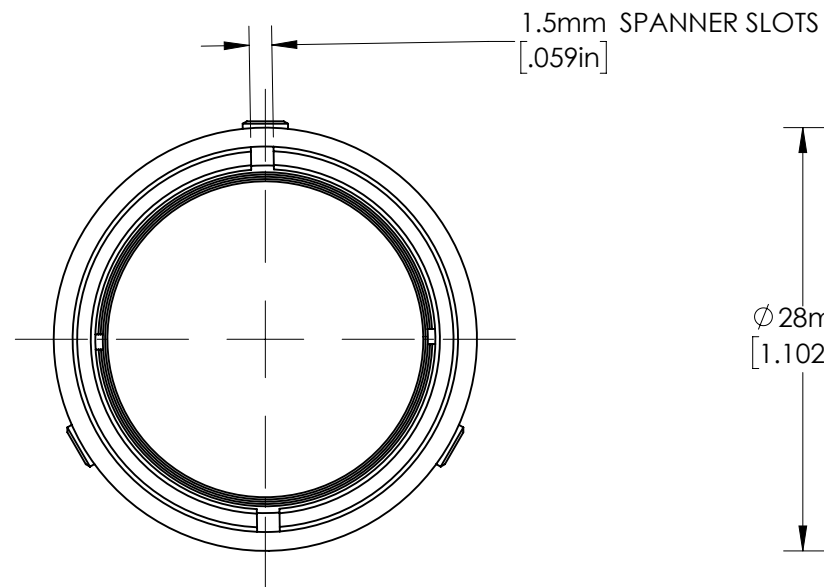
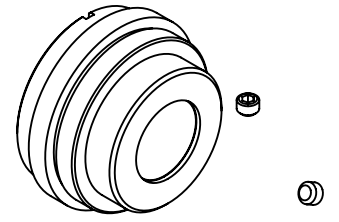
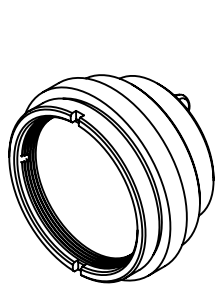
- 1. 3 M3x0.5 FLAT POINT STAINLESS STEEL SET SCREWS INCLUDED TO OPTIONALLY FIT 3 HOLES IN LOCK NUT, 120° APART.
- 2. INCLUDED WITH 33565.

**FOR INFORMATION ONLY:
DO NOT MANUFACTURE
PARTS TO THIS DRAWING**

SPECIFICATIONS SUBJECT TO CHANGE WITHOUT NOTICE
DIMENSIONS ARE FOR REFERENCE ONLY



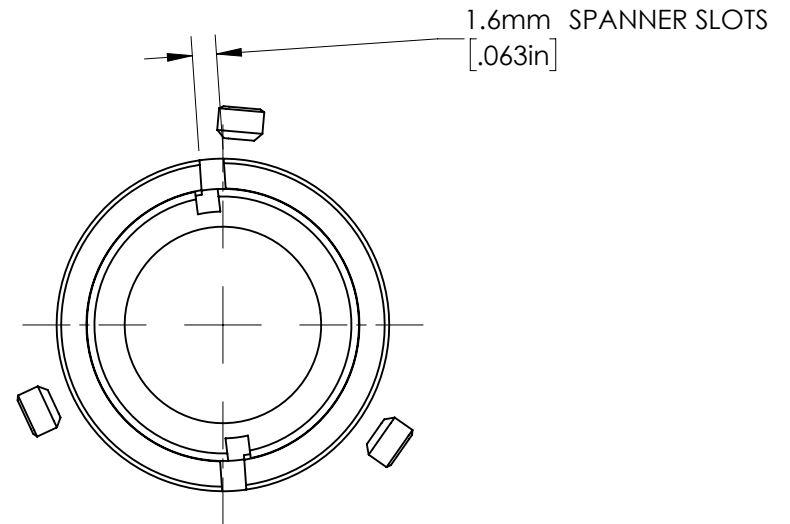
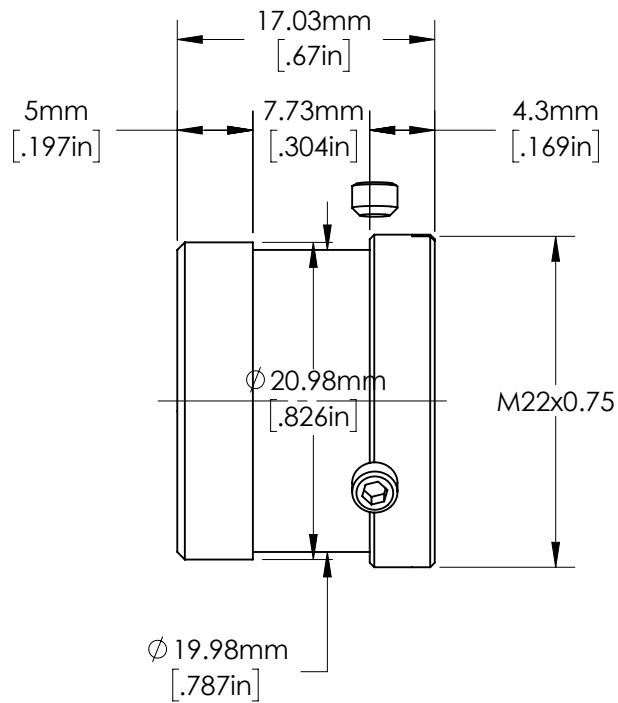
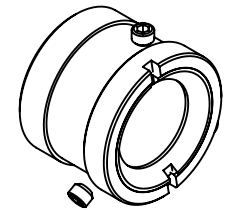
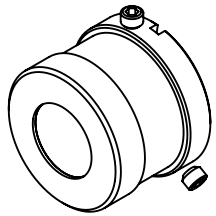
TITLE	35mm Cx LENS	
DWG NO	33565	SHEET 2 OF 5



SPECIFICATIONS SUBJECT TO CHANGE WITHOUT NOTICE
DIMENSIONS ARE FOR REFERENCE ONLY

**FOR INFORMATION ONLY:
DO NOT MANUFACTURE
PARTS TO THIS DRAWING**

 Edmund Optics®		
TITLE	FRONT ASSEMBLY OF 35mm Cx LENS	
DWG NO	33565	SHEET 3 OF 5

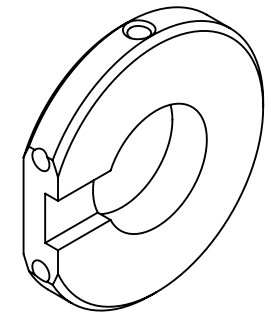
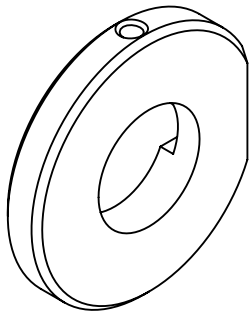


SPECIFICATIONS SUBJECT TO CHANGE WITHOUT NOTICE
DIMENSIONS ARE FOR REFERENCE ONLY

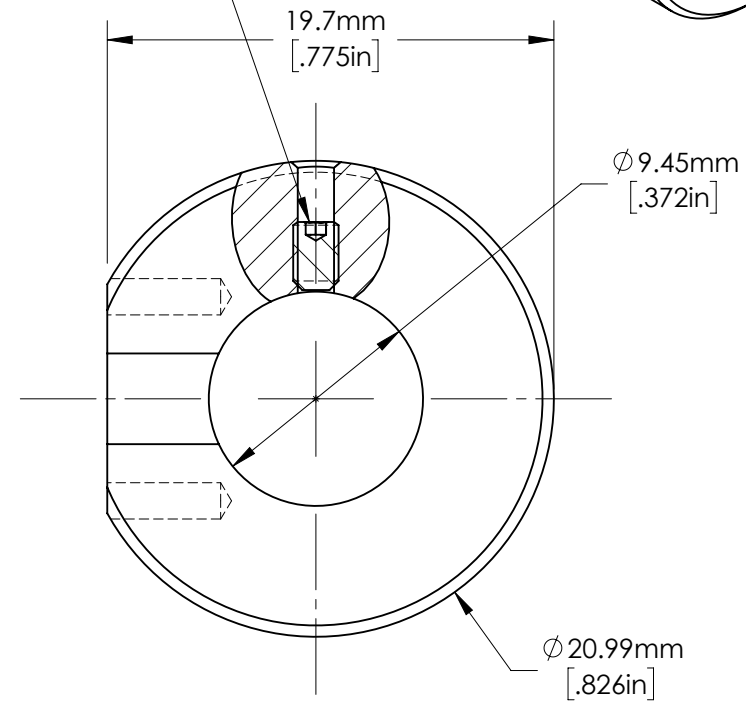
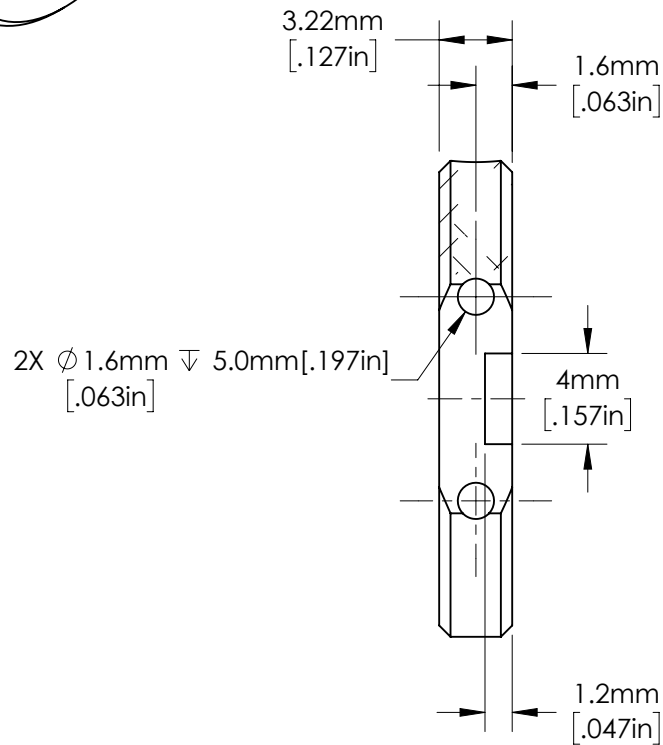
**FOR INFORMATION ONLY:
DO NOT MANUFACTURE
PARTS TO THIS DRAWING**

EO® Edmund Optics®

TITLE	REAR ASSEMBLY OF 35mm Cx LENS	
DWG NO	33565	
		SHEET 4 OF 5



M2 SOCKETHEAD SET SCREW ^{1.}



FOR INFORMATION ONLY:
DO NOT MANUFACTURE PARTS TO THIS DRAWING

SPECIFICATIONS SUBJECT TO CHANGE WITHOUT NOTICE
 DIMENSIONS ARE FOR REFERENCE ONLY
 DIMENSIONS ARE IN mm [INCHES]

NOTES:

^{1.} ALLEN KEY IS INCLUDED.

EO® Edmund Optics®

TITLE	SM LIQUID LENS HOLDER FOR 35mm CX LENS	
DWG NO	33675	SHEET 5 OF 5