

TECHSPEC® 35mm UC Series Fixed Focal Length Lens

#33-306



35mm FL, #33-306

Our ultra-compact, TECHSPEC® UC Series Fixed Focal Length Lenses are designed to optimize performance, cost, and size without sacrificing quality or feel. Designed for pixels that are $\leq 2.2\mu\text{m}$, these lenses provide high levels of resolution (>200 lp/mm) across the sensor and are compatible with all standard C-Mount cameras. TECHSPEC® UC Series Fixed Focal Length Lenses feature focus and iris adjustments, as well as recessed set screws, and are manufactured for use at typical machine vision working distances. While they are optimized for 1/2.5" sensors, many focal lengths will work on sensors up to 1/1.8". The TECHSPEC® UC Series Fixed Focal Length Lenses are an outstanding option for use on all smaller format camera sensors, along with both short and long working distance applications, making them ideal for inspection, [factory automation](#), biomedical devices, and a broad range of other applications.

Note: For fixed aperture instrumentation versions, see our [TECHSPEC® UCi Series Fixed Focal Length Lenses](#).

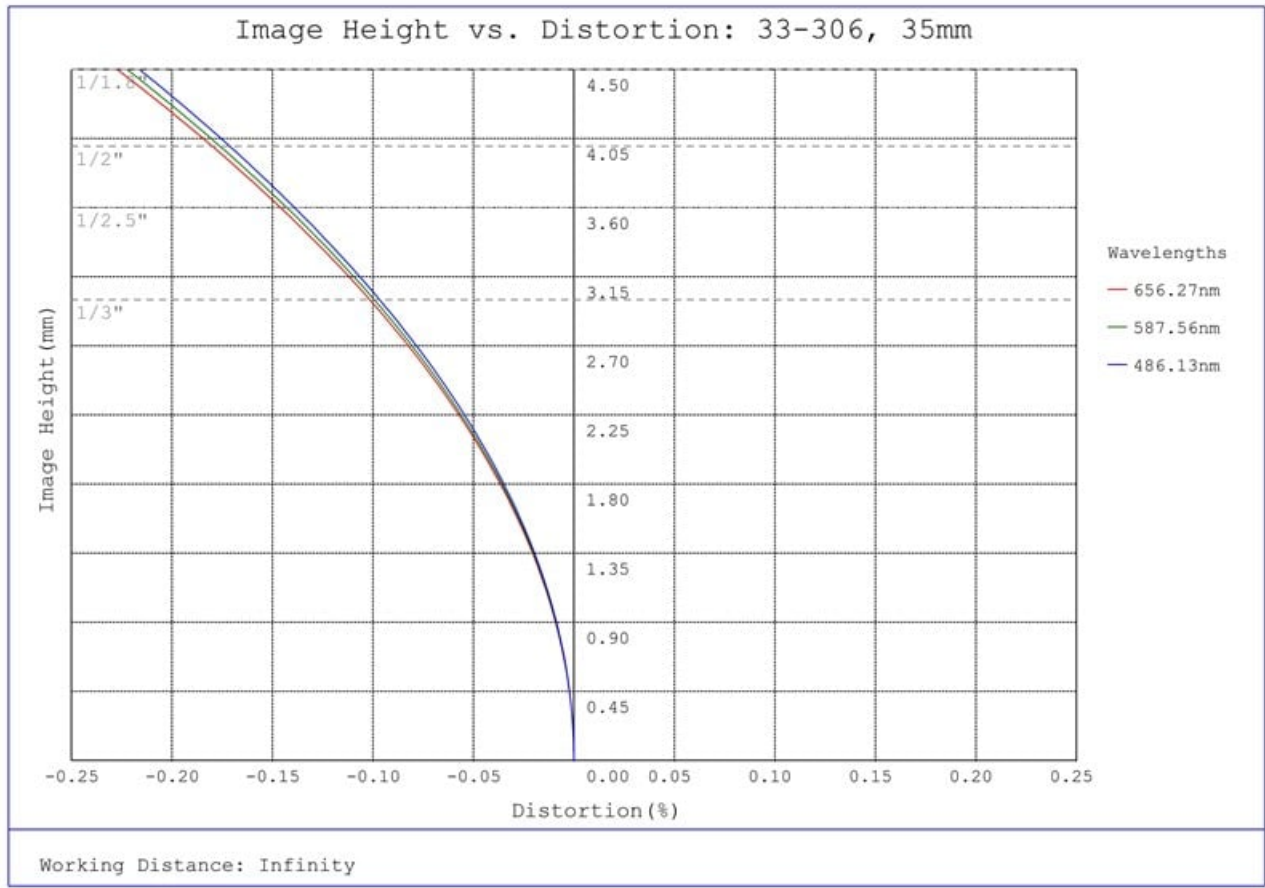
Outer Diameter (mm):	30
Mounting Diameter (mm):	30.0
Optimized Sensor Format:	1/2.5"
Type:	Fixed Focal Length Lens
Style:	VIS
Coating:	$\lambda/4$ MgF ₂
Maximum Length (mm):	52.76

Optical

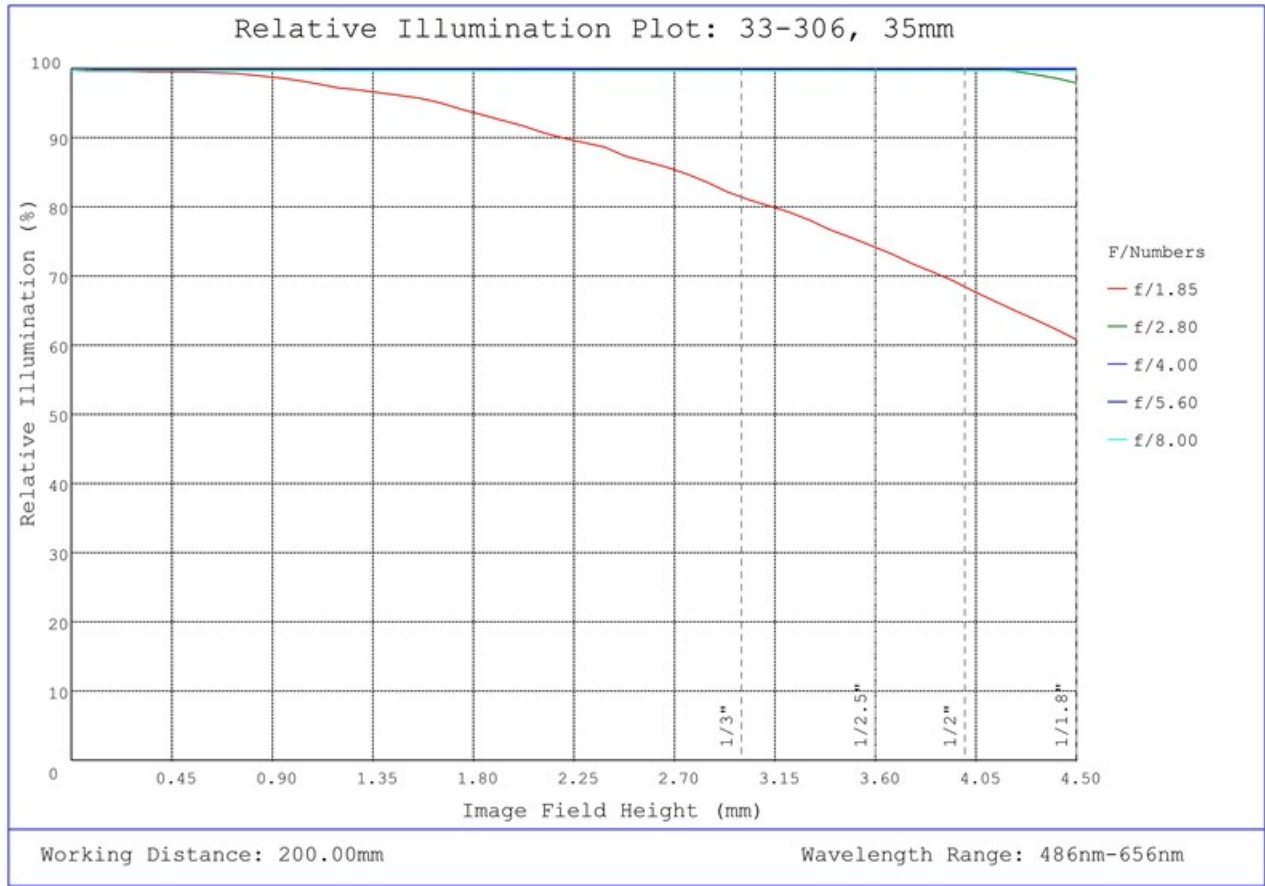
Horizontal Field of View, 1/2" Sensor:	40.7mm - 10.6°
Horizontal Field of View, 1/3" Sensor:	30.5mm - 7.9°
Maximum Image Circle (mm):	9
Numerical Aperture NA, Object Side:	0.0392
Horizontal Field of View @ Max Sensor Format:	56.0mm - 11.1°
Horizontal Field of View, 1/1.8" Sensor:	45.9mm - 11.9°
Horizontal Field of View, 1/2.5" Sensor:	36.9mm - 9.6°
Focal Length FL (mm):	35.00
Primary Magnification PMAG:	0.158
Maximum Sensor Format:	1/1.8"
Working Distance (mm):	200 - ∞
Aperture (f/#):	f/1.85 - f/16
Distortion (%):	<0.27% (on 1/2.5" Sensor)
Coating Specification:	$\lambda/4$ MgF ₂
Entrance Pupil Position (mm):	34
Horizontal Field of View, 1/4" Sensor:	22.8mm - 6.0°
Object Space Principal Plane (mm):	49.24
Image Space Principal Plane (mm):	-19.45
Field of View at Max Sensor Format:	Horizontal: 45.9mm - 11.9° Vertical: 34.3mm - 8.9° Diagonal: 57.5mm - 14.9°
Maximum Distortion (%):	-0.22
Exit Pupil Position (mm):	-46.7

Mechanical

Iris Option:	Variable
Length (mm):	52.76
Filter Thread:	M25.5 x 0.50 (Female)
Maximum Diameter (mm):	30
Maximum Rear Protrusion (mm):	4.58
Number of Elements (Groups):	7 (5)
Mount:	C-Mount



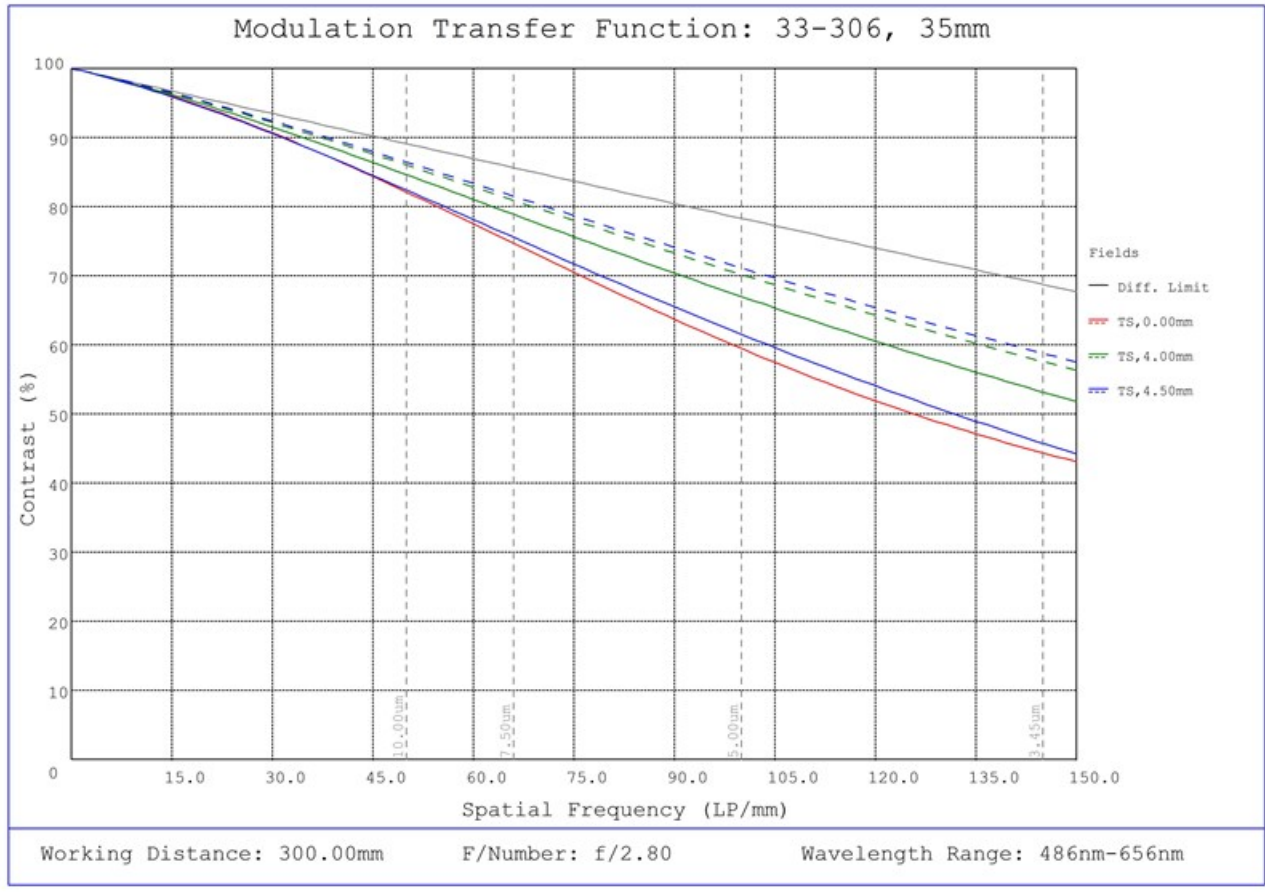
#33-306, 35mm UC Series Fixed Focal Length Lens, Distortion Plot



#33-306, 35mm UC Series Fixed Focal Length Lens, Relative Illumination Plot



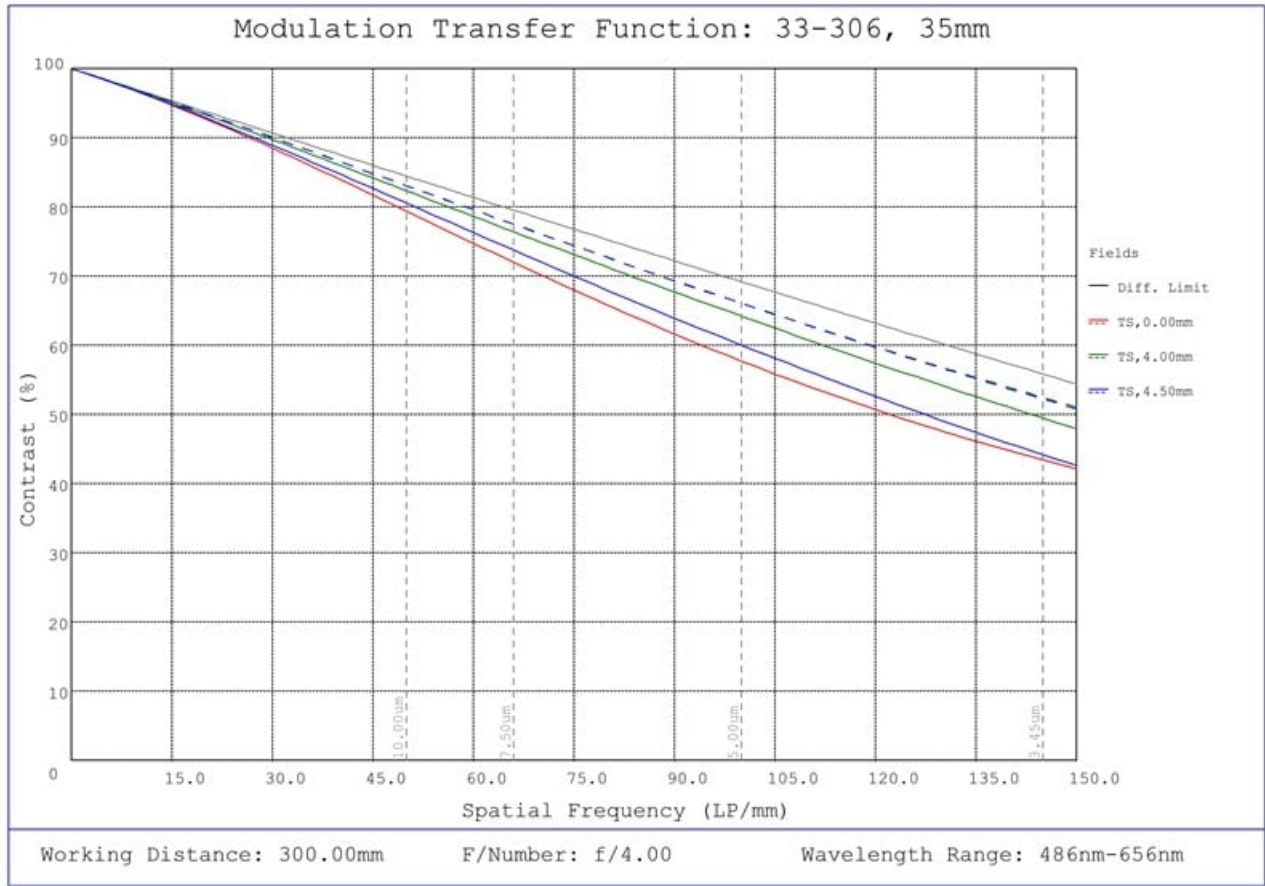
#33-306, 35mm UC Series Fixed Focal Length Lens, Working Distance versus Field of View Plot



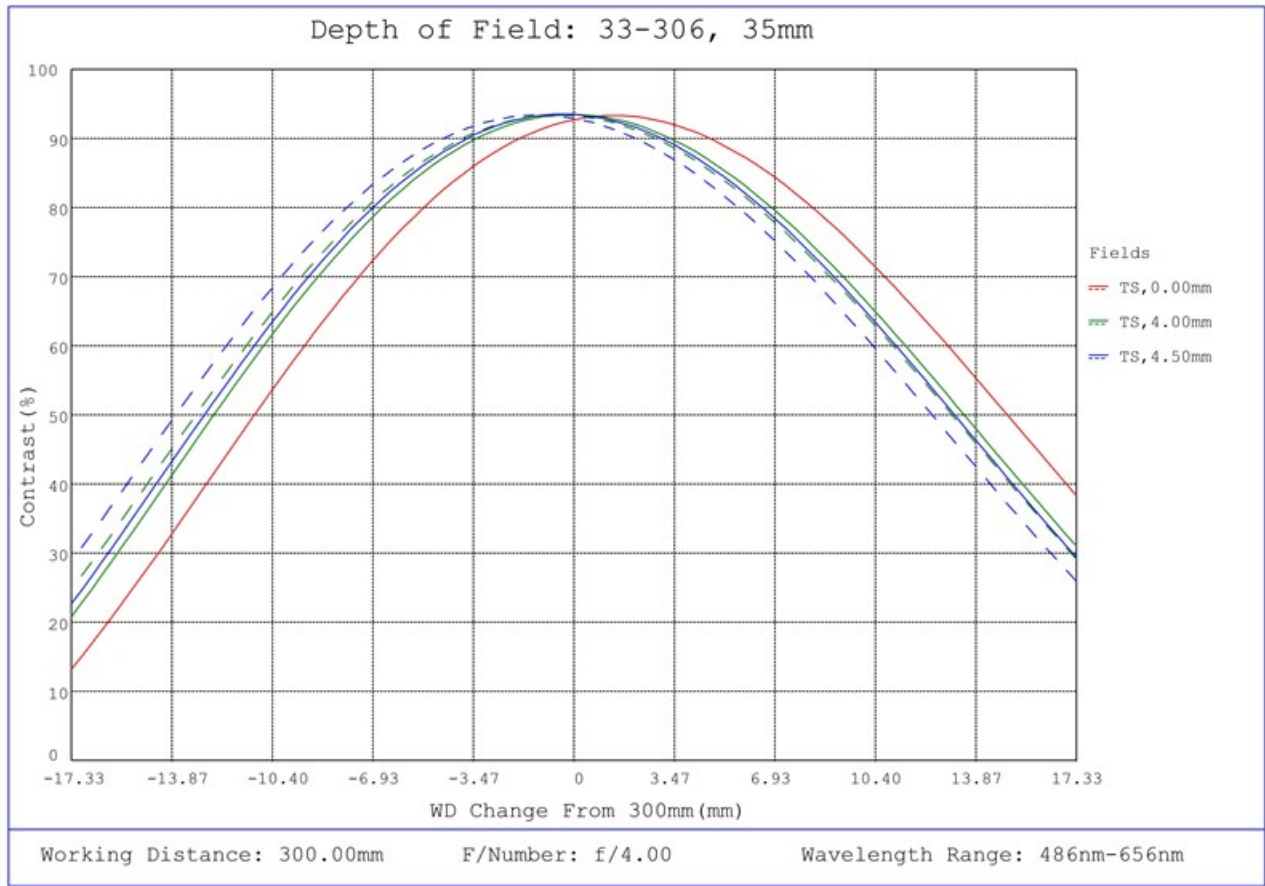
#33-306, 35mm UC Series Fixed Focal Length Lens, Modulated Transfer Function (MTF) Plot, 300mm Working Distance, f2.8



#33-306, 35mm UC Series Fixed Focal Length Lens, Depth of Field Plot, 300mm Working Distance, f2.8



#33-306, 35mm UC Series Fixed Focal Length Lens, Modulated Transfer Function (MTF) Plot, 300mm Working Distance, f4



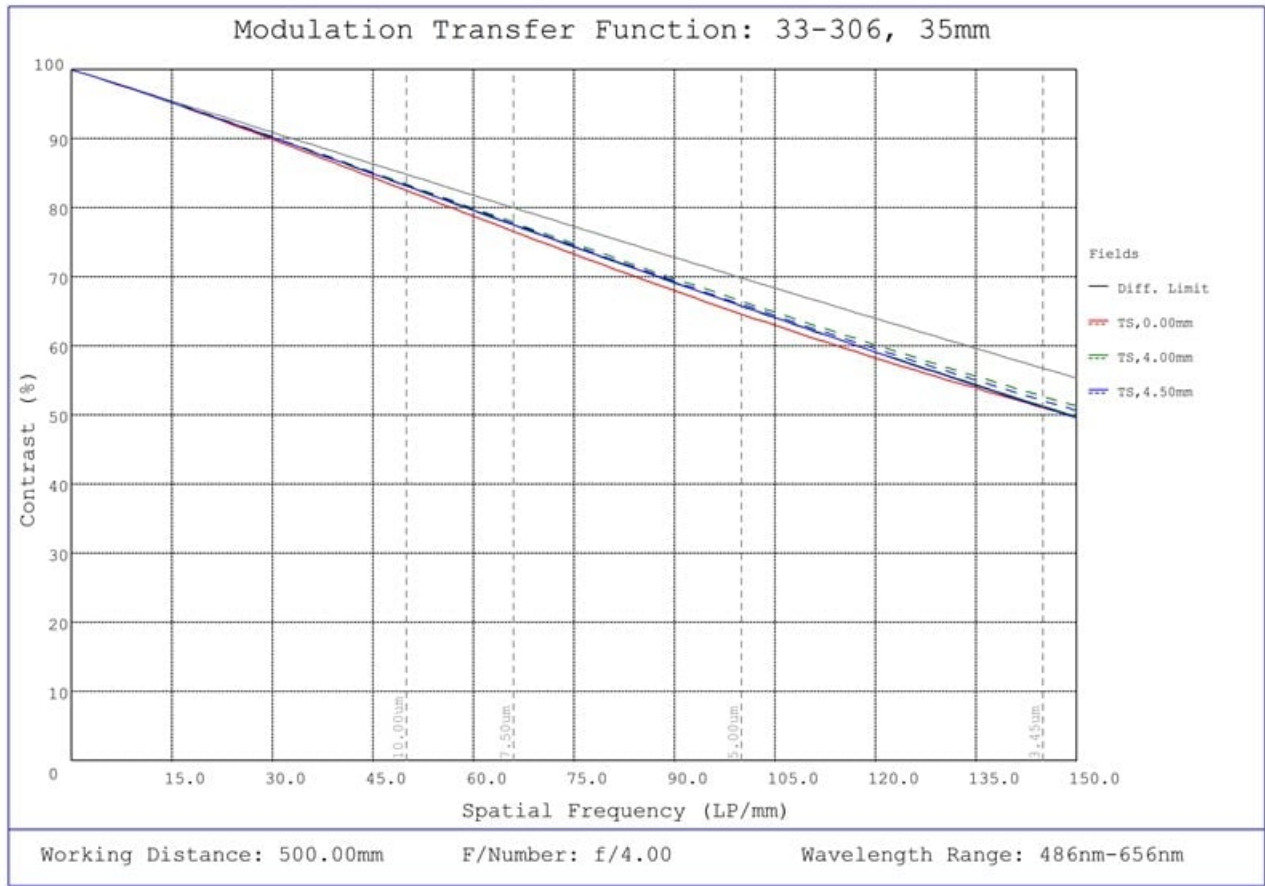
#33-306, 35mm UC Series Fixed Focal Length Lens, Depth of Field Plot, 300mm Working Distance, f4



#33-306, 35mm UC Series Fixed Focal Length Lens, Modulated Transfer Function (MTF) Plot, 500mm Working Distance, f2.8



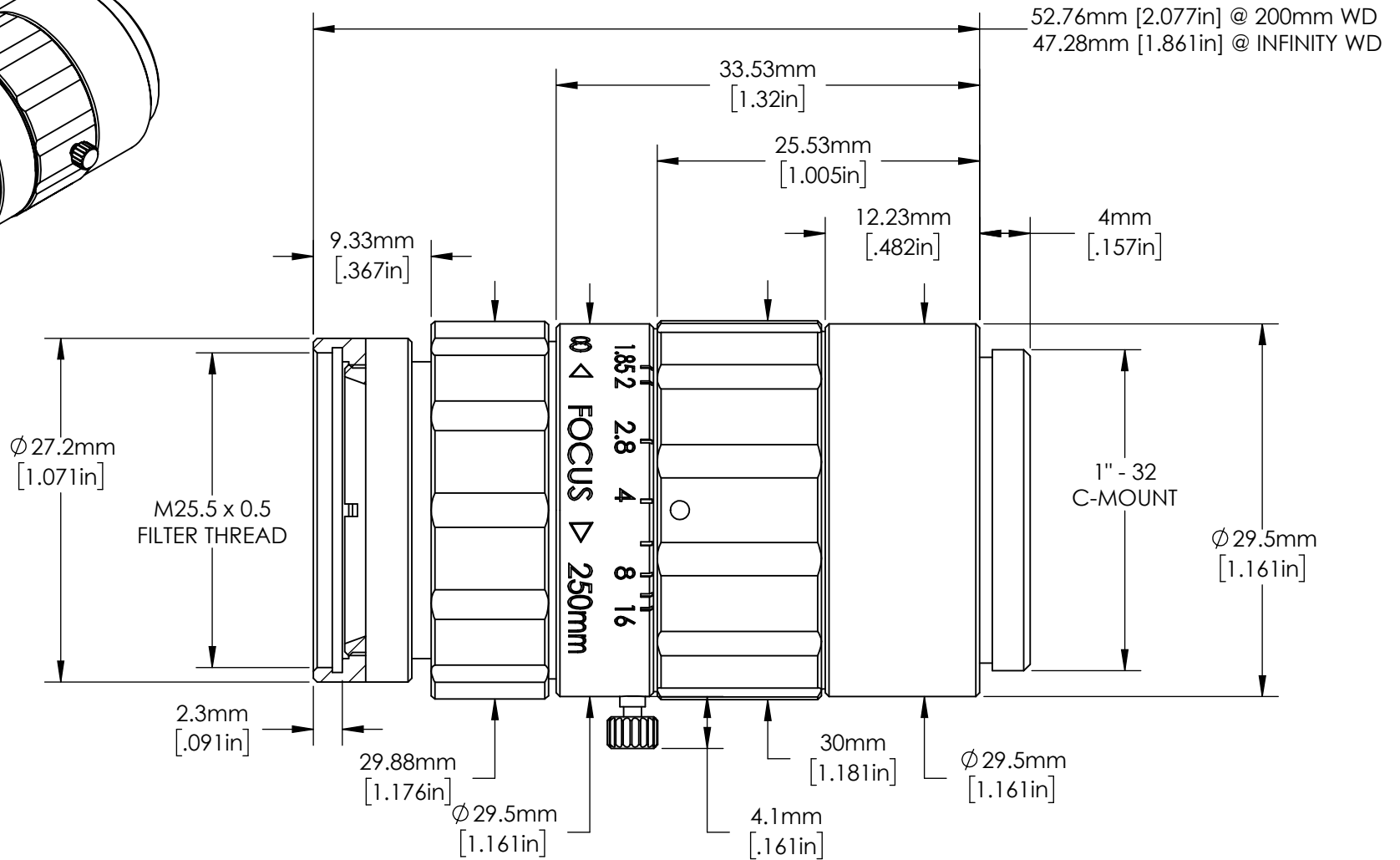
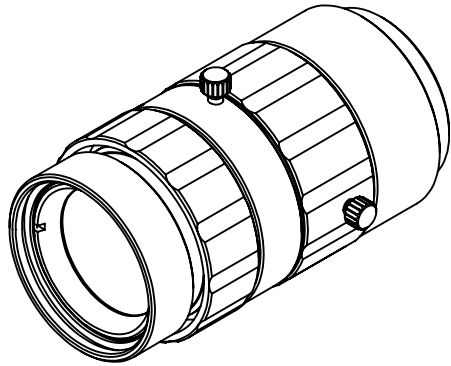
#33-306, 35mm UC Series Fixed Focal Length Lens, Depth of Field Plot, 500mm Working Distance, f2.8



#33-306, 35mm UC Series Fixed Focal Length Lens, Modulated Transfer Function (MTF) Plot, 500mm Working Distance, f4



#33-306, 35mm UC Series Fixed Focal Length Lens, Depth of Field Plot, 500mm Working Distance, f4



NOTES:

1. INCLUDES RECESSED SET SCREW OPTION.
2. LENS MAY MOVE MORE THAN INDICATED UNTIL IT REACHES BUILT-IN STOPS.

**FOR INFORMATION ONLY:
DO NOT MANUFACTURE
PARTS TO THIS DRAWING**

SPECIFICATIONS SUBJECT TO CHANGE WITHOUT NOTICE. DIMENSIONS ARE FOR REFERENCE ONLY. FOR DETAILED SPECIFICATIONS, PLEASE REFER TO THE SPEC SHEET.

EO® Edmund Optics®

TITLE	35mm UC Series Fixed Focal Length Lens		
DWG NO	33306		SHEET 1 OF 1



March 14, 2023

To Whom It May Concern,

This document certifies that the product stated below has been reviewed as requested by Edmund Optics:

<i>Stock No.</i>	<i>Description</i>
33-306	35mm UC Series Fixed Focal Length Lens

This item is EU RoHS (2011/65/EU) compliant without the use of exemptions.

This certification means that:

- EO's suppliers have confirmed the material composition of this product.
- EO has implemented rigorous procedures to document this compliance.
- The information provided may, or may not, be based upon actual test data, or on information from our Vendors, Raw Material Suppliers or Subcontractors.

A handwritten signature in cursive script that reads 'Jay Budd'.

Jay Budd, Director of Corporate Compliance

March 14, 2023

Edmund Optics Inc. - 101 E Gloucester Pike, Barrington, NJ 08007 | 1-800-363-1992 | Compliance@edmundoptics.com



March 14, 2023

<i>Stock No.</i>	<i>Description</i>
33-306	35mm UC Series Fixed Focal Length Lens

Edmund Optics certifies that all articles included in this shipment are in compliance with the terms and conditions of this order. The company also certifies that the articles included in this shipment are in accordance to all agreed upon specifications and quality assurance provisions. Please call 1-800-363-1992 should any questions arise from this shipment.

A handwritten signature in cursive script that reads 'Robert M. Henderson'.

Robert Henderson - Director of Quality